



BDC KU-BAND EXT REF 1000X SERIES



TYPICAL SPECIFICATIONS

Noise figure	15 dB
L.O. stability	Phase Locked to External Reference
Phase noise (SSB)	-70 dBc/Hz at 1 kHz -85 dBc/Hz at 10 kHz -100 dBc/Hz at 100 kHz
Input VSWR	1.9 : 1
Output VSWR	2.0 : 1
Input Connector	SMA (f)

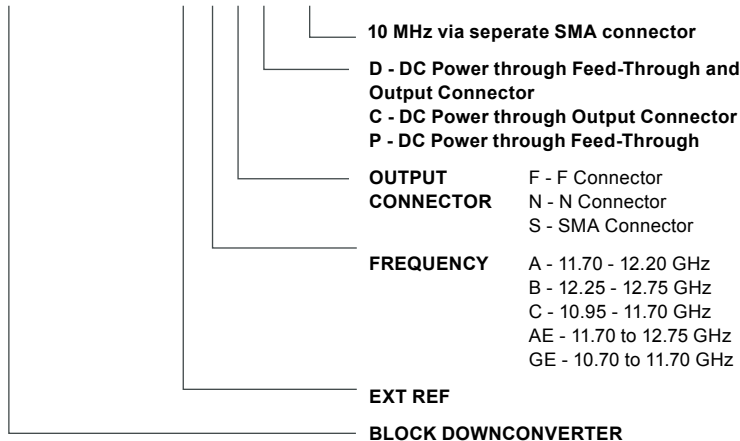
Conversion gain	20 dB
Gain stability over temperature	±2.5 dB at any constant frequency
Output P1dB	6dBm
Power requirements	+15 to +24 V
Current drain	260 mA
Dimensions	107 (L) x 78 (W) x 44 (H) mm (4.2 x 3.1 x 1.7 in)
Weight	300 g / 10.6 oz
Temperature Range	-40°C to +60°C

FREQUENCY BANDS AVAILABLE

Typical service	1000XA	1000XB	1000XC	1000XAE	1000XGE
Input frequency (GHz)	11.70 to 12.20	12.25 to 12.75	10.95 to 11.70	11.70 to 12.75	10.70 to 11.70
L.O. frequency (GHz)	10.75	11.30	10.00	10.75	9.75
Output frequency (MHz)	950 to 1450	950 to 1450	950 to 1700	950 to 2000	950 to 1950

HOW TO ORDER

BDC-1000XAND-10S



MECHANICAL DIAGRAM

