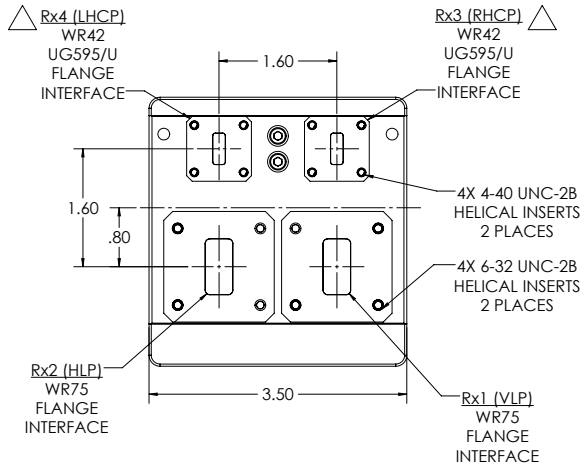
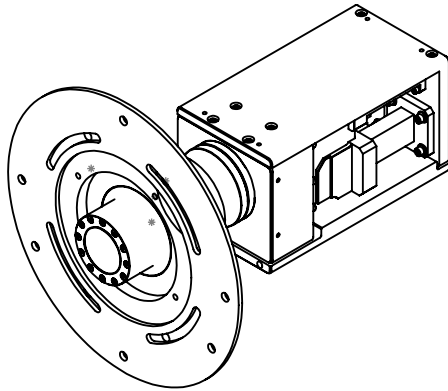


FEED-4KAC-KUL



Preliminary Specifications	Rx1/Rx2 (Ku)	Rx3/Rx4 (Ka)
Frequency Band	10.70 – 12.75 GHz	17.20 – 22.20 GHz
Polarization	Linear	Circular
Insertion Loss	0.50 dB Max	0.65 dB Max
VSWR	1.30:1 Max	
Isolation – Port to Port	30 dB Min	16 dB Min
Crosspol	30 dB Min	N/A
Axial Ratio	N/A	1.00 dB Max
f/d Range	0.30 – 0.40 (optimized 0.375)	

Features

- Prime Focus Feed Assembly
- Ku Band Linear / Ka Circular
- Manual Polarization Adjustment via set screws
- Motorized version is also available
- For new antennas or upgrades in the field