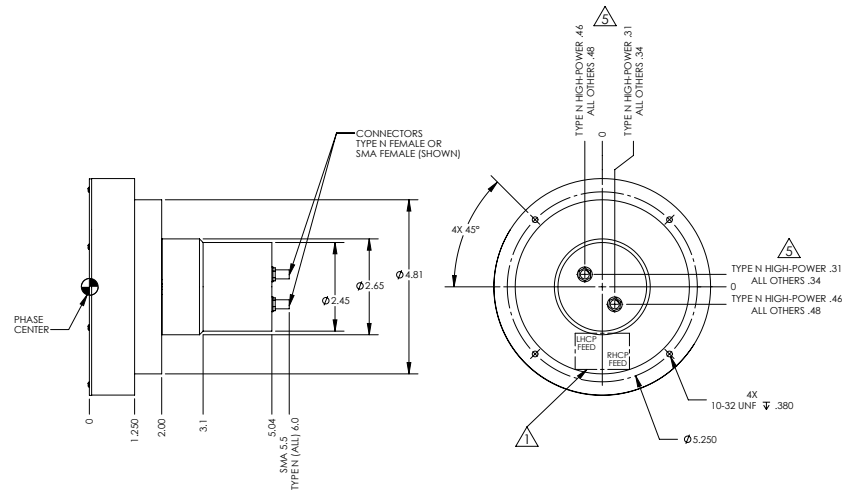


S-Band 2 Port CP DP Prime Focus Feed, 1500 – 2500 MHz, Type-N (VS-SCPF1525-DP-N)



Frequency Band (MHz)	1500 - 2500 MHz
Frequency Band (Letter-Band)	L - S
Type / f/d ratio	Prime Focus Feed (0.35 – 0.42, optimized for 0.375 f/d)
Nominal gain	Approximately 8.5 – 10.5 dBic over the frequency band
Diameter / Size	5 x 6 x 6-in. (127 x 152 x 152-mm)
Polarization	Dual Circular
Termination Type	N Female
Average VSWR	<1.50:1
Return (dB)	14
Axial Ratio (On-Axis)	1.5 dB or less
Environmental use	Sealed for outdoor use
Finish	Chemical Conversion per MIL-DTL-5541F, Type 2, Class
Construction	Single piece aluminum