

De-ice, Rack Mount User Remote Monitor and Control

DEICE-RCM-RM

* De-ice Control must have the Monitor and Control Interface Option to use the Rack Mounted User Remote Monitor and Control

The Rack Mounted User Remote Monitor and Control enables the customer to remotely cycle the De-ice Control through the three modes of operation, monitor the mode setting, and heater status. The Rack Mounted User Remote Monitor and Control uses a U1 size panel.

The following information should be used to install the Rack Mounted User Remote Monitor and Control. The mode switch and indicators on the lid of the De-ice Control will remain fully operational after the Rack Mounted User Remote Monitor and Control has been installed.

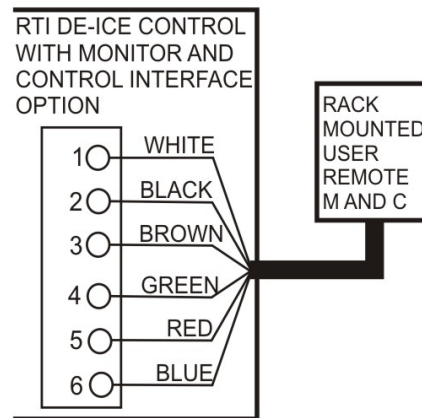


Read these instructions carefully and follow all procedures for installation of system components. Electrical wiring must be performed in accordance with the appropriate electrical codes.

The Rack Mounted User Remote Monitor and Control cable should be routed to the De-ice Control with the Monitor and Control Interface Option. A terminal strip inside the enclosure mounted to the back of the Remote allows disconnection of the cable for routing purposes. Wire positions are identical to those on the De-ice control terminal strip.

Terminal strip connections each end of the cable:

- Position 1 - White 22 awg wire
- 2 - Black 22 awg wire
- 3 - Brown 22 awg wire
- 4 - Green 22 awg wire
- 5 - Red 22 awg wire
- 6 - Blue 22 awg wire



The Rack Mounted User Remote Monitor and Control enables the user to cycle the De-ice Control through the AUTOMATIC, OFF and ON functions. These modes are user selectable through a single push button switch. The Rack Mounted User Remote Monitor and Control has no temperature or moisture sensing capabilities.

The Rack Mounted User Remote Monitor and Control provides two status indicator lights. These lights will mimic the indicator light status on the De-Ice Control. The green indicator lights when the De-ice Control is in the AUTOMATIC mode. The yellow indicator lights when the heater contacts are closed and the heaters are on.

Refer to your De-ice Control Manual for the full De-ice Control operating instructions.